

PRODUCT SPECIFICATIONS

Construction:

- Frosted Glass Lens
- Powder Coat Frame
- Available In Brushed Nickel Or Bronze Or Black Finish
- Powder Coat White Back-Plate

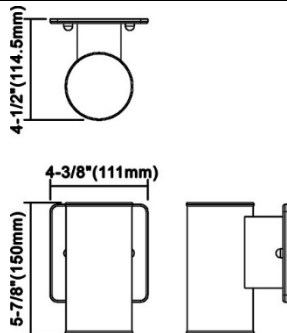
Light Source:

- 5 Watts LED 390 Lumens
- 3000°K Color Temperature
- CRI 90
- 110° Beam Angle

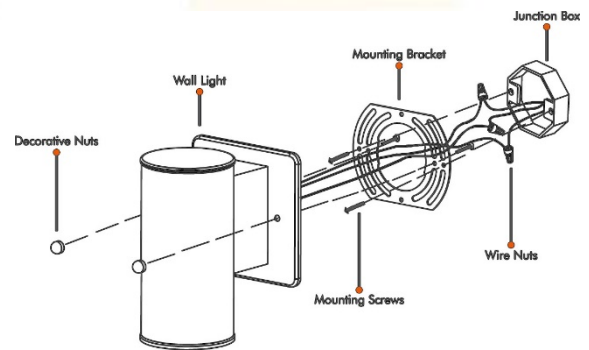
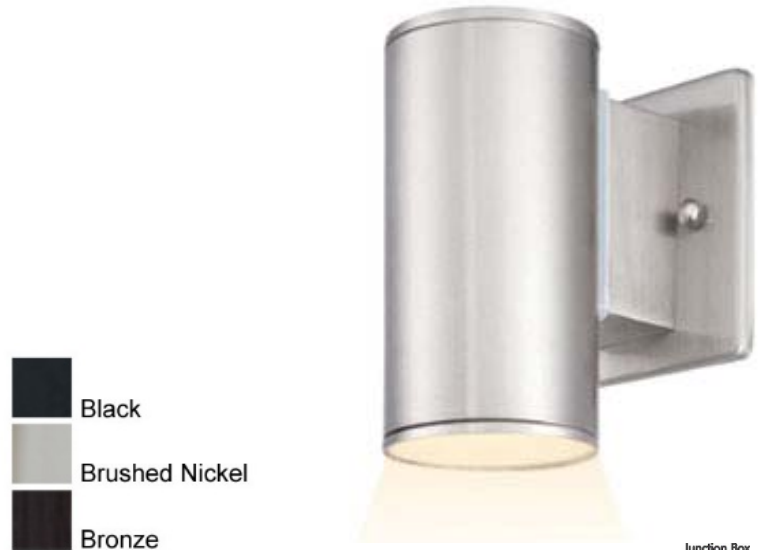
Notes:

- ETL Approved For Wet Locations
- Energy Star Approved

Width: 4 3/8"
Height: 5 7/8"
Extension: 4 1/2"



JOB NAME:	
TYPE:	



Ordering Information

Example: SL-OW0307D-LED-BRZ

SL-OW0307D	LED	5 7/8"	120	
-------------------	------------	---------------	------------	--

SERIES	WATTAGE	HEIGHT	VOLTAGE	FINISH
--------	---------	--------	---------	--------

SL-OW0370D	LED-5 Watts 390 Lumens	5 7/8"	120	BK-Black BN-Brushed Nickel BZ-Bronze
------------	------------------------	--------	-----	--



425 North Fox Street San Fernando, CA 91340
(818) 365-8900 FAX (818) 365-2519
www.southlandlighting.net



Beam Angle