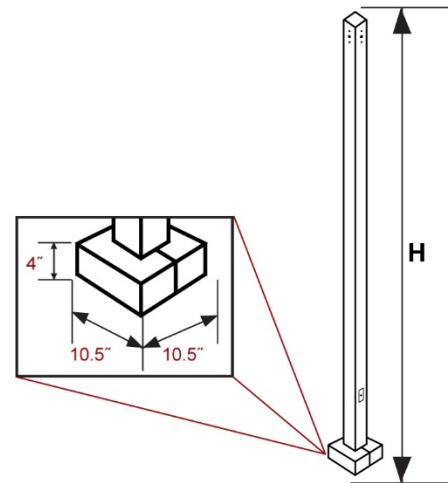


PRODUCT SPECIFICATIONS

Construction:

- 4"X4" Square Straight Steel Pole
- Polycarbonate Spring Loaded Top Cover
- Pre-Drilled For Side Mount, Polycarbonate Plugs Included
- Reinforced Cast Iron Hand-Hole Cover With Ground Screws
- Set Of Four Anchor Bolts (J-Bolts)
- Bronze Polyester Powdercoat Finish
- Wall Thickness Available In 11 Or 7 Gauge
- Base Plate Size: 10 1/2" X 10 1/2" X 3/4"
- Bolt Circle: 8" To 11"
- Conforms To ASTM-A 500 Grade B: Minimum Yield Strength Of 46,000PSI

JOB NAME:	
TYPE:	



Height: 16' Or 20' Or 25'
Width: 4" X 4"

Ordering Information

Example: SL-SP-4-16-11-BRZ

SL-SP	4		BRZ
--------------	----------	--	------------

SERIES	SIZE	HEIGHT	GAUGE	FINISH
--------	------	--------	-------	--------

SL-SP	4"	16	11	BRZ- Bronze
		20	11	
		20	7	
		25	11	
		25	7	

425 North Fox Street San Fernando, CA 91340
(818) 365-8900 FAX (818) 365-2519
www.southlandlighting.net

