

PRODUCT SPECIFICATIONS

**Construction:**

- Polished Chrome Hardware
- Frosted Opal Glass Lens

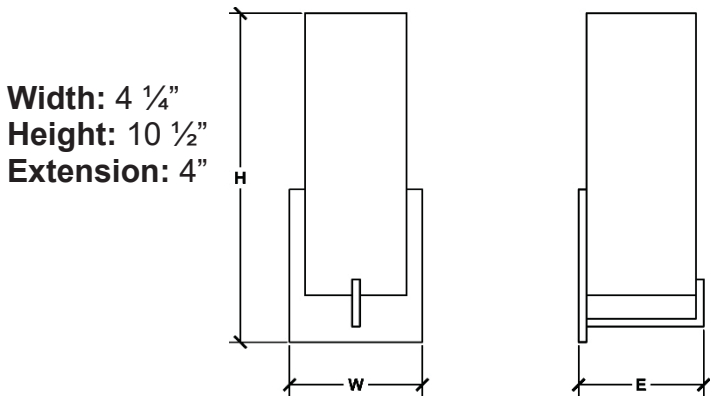
**Light Source:**

- 15 Watts LED 1000 Lumens 3500K
- 90 CRI

**Notes:**

- CEC Approved
- ETL Listed
- ADA Compliant

JOB NAME:	
TYPE:	



Ordering Information

Example: SL-1511-LED-CH

<b>SL-1511</b>	<b>LED</b>	<b>10 ½"</b>	<b>120</b>	<b>CH</b>
----------------	------------	--------------	------------	-----------

SERIES	WATTAGE	SIZE	VOLTAGE	OPTIONS
--------	---------	------	---------	---------

SL-1511	15W LED-1000 Lumens	10 ½"	120	CH- Chrome
---------	---------------------	-------	-----	------------



425 North Fox Street San Fernando, CA 91340  
(818) 365-8900 FAX (818) 365-2519  
www.southlandlighting.net

