

**PRODUCT SPECIFICATIONS**

**Construction:**

- Frosted Glass Lens
- Powder Coat Silver Frame
- Powder Coat Bronze Frame Option
- Powder Coat White Back-Plate

**Light Source:**

- GU24 Fluorescent
- 13 Watts, 18 Watts, 23 Watts, Or 26 Watts Compatible

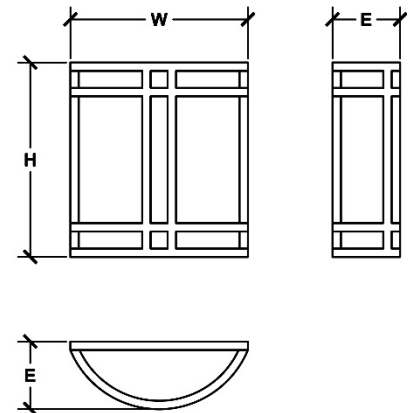
**Notes:**

- Energy Star Approved
- ADA Compliant

JOB NAME:	
TYPE:	



**Height:** 11 1/2"  
**Width:** 10 1/2"  
**Extension:** 4"



**Ordering Information**

Example: *SL-20593-SIL*

<b>SL-20593</b>		<b>10 1/2"</b>	<b>120</b>	
-----------------	--	----------------	------------	--

SERIES	WATTAGE	SIZE	VOLTAGE	OPTIONS
--------	---------	------	---------	---------

SL-20593	1-13 1-18 1-23 1-26	10 1/2"	120	SIL-Silver Finish BRZ-Bronze Finish
----------	------------------------------	---------	-----	--



425 North Fox Street San Fernando, CA 91340  
(818) 365-8900 FAX (818) 365-2519  
www.southlandlighting.net

