

PRODUCT SPECIFICATIONS

Construction:

- Opal Acrylic Lens
- Brushed Nickel Plated Steel Frame
- White Powder Coated Steel Back-Plate

Light Source:

- LED 39.5 Watts 3024 Lumens
- 3000°K 90 CRI
- Triac Dimming

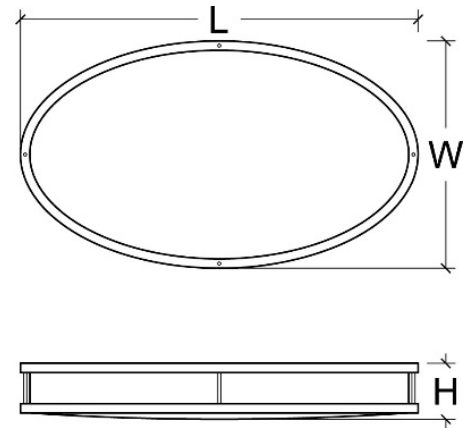
Notes:

- 120V Efficient Electronic Ballast
- UL, CUL Approved
- Suitable For Damp Locations
- California T24 JA8

Width: 32" x 18 1/4"

Height: 4 1/2"

| | |
|-----------|--|
| JOB NAME: | |
| TYPE: | |



Ordering Information

Example: SL-FM232CBN-LED

| SL-FM232C | BN | 32 | 120 | LED |
|------------------|-------------------|-----------|------------|-----------------------|
| SERIES | FINISH | SIZE | VOLTAGE | WATTAGE |
| SL-FM232C | BN-Brushed Nickel | 32 | 120 | LED-39.5W 3024 Lumens |



425 North Fox Street San Fernando, CA 91340
(818) 365-8900 FAX (818) 365-2519
www.southlandlighting.net

