

**PRODUCT SPECIFICATIONS**

**Construction:**

- Surface Mount Ceiling Application
- Brushed Nickel Finish
- 27° LED Beam Angle

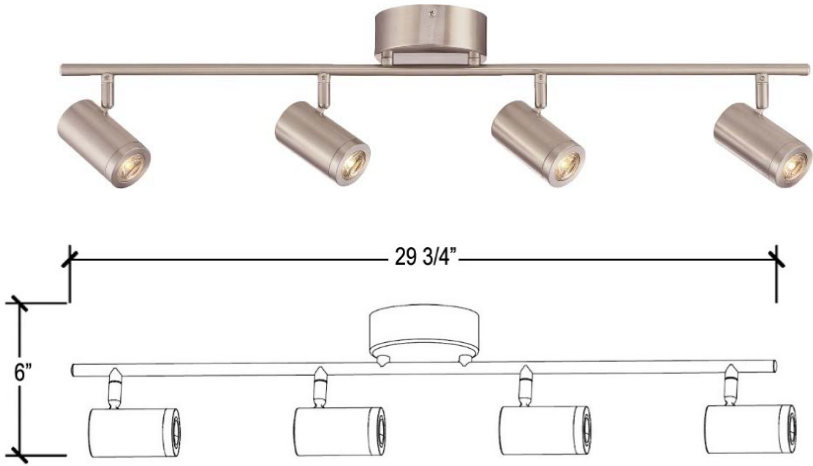
**Light Source:**

- (4) 5W LED Each
- 1600 Lumens Total
- 3000°K CRI 90
- Triac Dimmable Driver
- 120 Volt

**Notes:**

- ETL Approved

JOB NAME:	
TYPE:	



**Height: 6"**  
**Width: 29 3/4"**  
**Extension: 4 3/4"**

**Ordering Information**

Example: SL-TR4530-30-BN-LED

<b>SL-TR4530</b>	<b>30</b>	<b>BN</b>	<b>LED</b>
------------------	-----------	-----------	------------

SERIES	COLOR TEMP.	FINISH	WATTAGE
--------	-------------	--------	---------

SL-TR4530	30-3000°K Color Temperature	BN-Brushed Nickel	(4) 5W LED Each- 1600 Lumens Total
-----------	-----------------------------	-------------------	------------------------------------



425 North Fox Street San Fernando, CA 91340  
(818) 365-8900 FAX (818) 365-2519  
www.southlandlighting.net

