

**PRODUCT SPECIFICATIONS**

**Construction:**

- Adjustable 1/2" Knuckle Mount
- Easily Mounted To Weatherproof Box 1/2" Hub
- Die-Cast Aluminum
- Powder Coat Dark Bronze Finish
- Tempered Glass Lens W/Seamless Silicone Gasket
- Beam Angle 90°

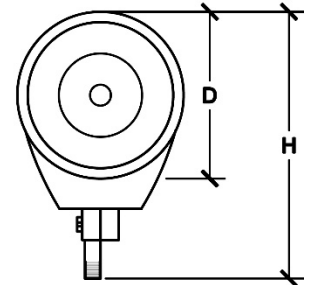
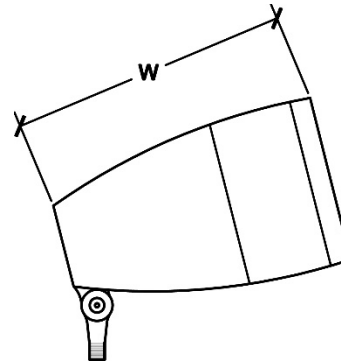
**Light Source:**

- LED 30 Watts 2500 Lumens
- 3000°K Color Temperature
- CRI >72

**Notes:**

- 70.000 Hour Rated Life
- Wet Location IP54
- UL, DLC Approved

JOB NAME:	
TYPE:	



**Width:** 7 3/4"  
**Height:** 5 3/4"  
**Diameter:** 5 1/8"

**Ordering Information**

Example: SL-FL-30LED-30K

<b>SL-FL</b>	<b>30LED</b>	<b>30K</b>	<b>120-277</b>	<b>DB</b>
--------------	--------------	------------	----------------	-----------

SERIES	WATTAGE	COLOR TEMP.	VOLTAGE	OPTIONS
--------	---------	-------------	---------	---------

SL-FL	30LED 2500 Lumens	30K-3000K	120-277	DB-Dark Bronze
-------	-------------------	-----------	---------	----------------



425 North Fox Street San Fernando, CA 91340  
(818) 365-8900 FAX (818) 365-2519  
www.southlandlighting.net

