

PRODUCT SPECIFICATIONS

Construction:

- Frosted Lens
- Powder Coat Silver Finish
- White Powder Coated Steel Back-Plate
- Fully Gasketed Lens And Back-Plate

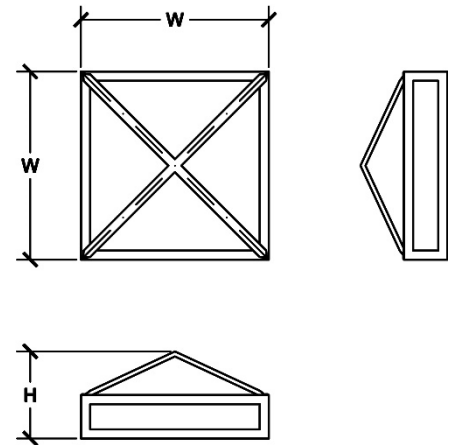
Light Source:

- (1) 18 Watts Or (2) 18 Watts
- GU24 Fluorescent

Notes:

- Wall Or Ceiling Mounting
- Suitable For "Wet" Locations
- Energy Star Approved

JOB NAME:	
TYPE:	



Width: 10 1/4" x 10 1/4" Or 12 1/2" x 12 1/2"
Height: 4 3/4" Or 6"

Ordering Information

Example: *SL-SQ-118-SIL*

SL-SQ			120	SIL
SERIES	WATTAGE	SIZE	VOLTAGE	FINISH
SL-SQ	1-18 2-18	10 1/4" x 10 1/4" x 4 3/4" 12 1/2" x 12 1/2" x 6"	120	SIL-Silver



425 North Fox Street San Fernando, CA 91340
 (818) 365-8900
 www.southlandlighting.net

